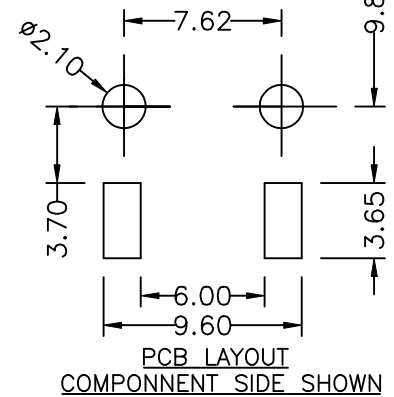
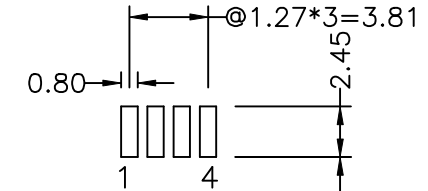
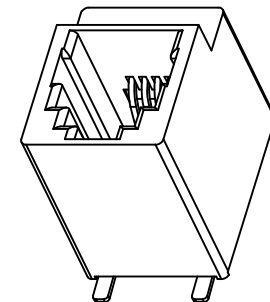
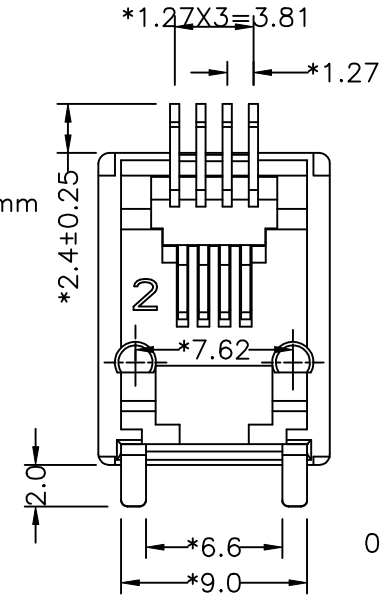
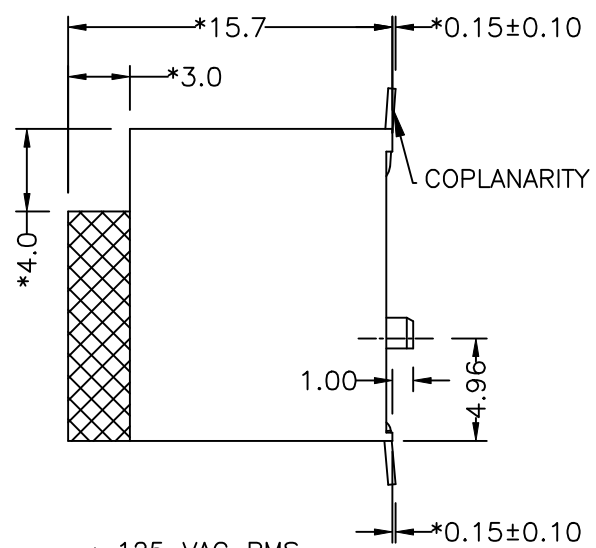
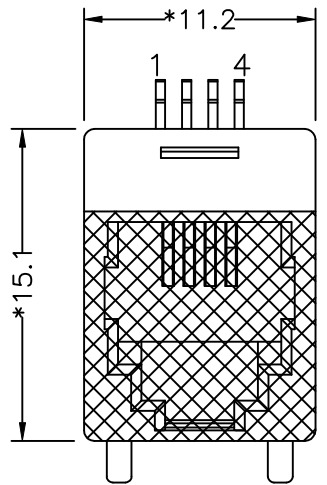


REVISION RECORD				
REV	ECO	DESCRIPTION	DRFT	CHKD



NOTES:

ELECTRICAL:

- 1. VOLTAGE RATING : 125 VAC RMS.
- 2. CURRENT RATING : 1.5 AMP.
- 3. CONTACT RESISTANCE : 35 MILLIOHMS MAX.
- 4. INSULATION RESISTANCE : 1000 MEGOHMS MIN @ 500 VDC.
- 5. DIELECTRIC STRENGTH : 1000 VAC RMS 60Hz, 1MIN.

MECHANICAL:

- 1. HOUSING MATERIAL : FR52.
- 2. CONTACT MATERIAL : PHOSPHOR BRONZE t=0.35mm.
- 3. PLATING : GOLD PLATING OVER NICKEL.
- 4. OPERATING LIFE : 750 CYCLES MIN.
- 5. PCB RETENTION POST-SOLDER: 10 LBS MIN.

ENVIRONMENTAL:

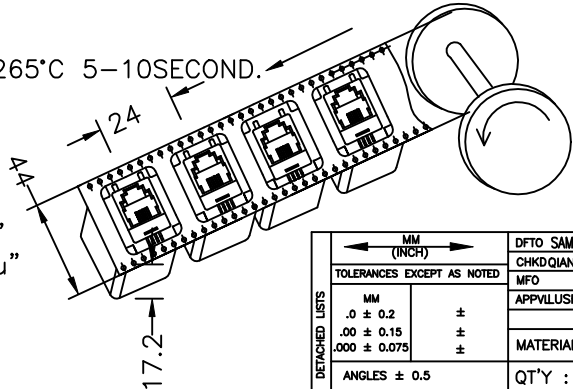
- 1. STORAGE : -40°C TO +85°C.
- 2. OPERATION: -40°C TO +85°C.
- 3. INFRARED SOLDER TEMPERATURE : 255°C TO 265°C 5-10SECOND.

MATES WITH MODULAR PLUG CONFORMING TO FCC PART 68, SUBPART F.

CUL FILE NO: E163191.

ROHS PART NUMBER: E5244-700BUX-L

1-3u" 2-6u"  
3-15u" 4-30u"  
5-50u"



<p>MM (INCH)</p> <p>TOLERANCES EXCEPT AS NOTED</p>		<p>DFTO SAMMY DATE 03/31/05</p> <p>CHKD QIANPU DATE 2005/3/31</p> <p>MFO DATE</p> <p>APPV LUSHENG DATE 2005/3/31</p>	<p>FULL RISE ELECTRONIC CO., LTD</p>	
<p>DETACHED LISTS</p> <p>MM ±</p> <p>.0 ± 0.2 ±</p> <p>.00 ± 0.15 ±</p> <p>.000 ± 0.075 ±</p> <p>ANGLES ± 0.5</p>	<p>THIRD ANGLE PROJECTION</p>	<p>MATERIAL :</p> <p>QT'Y :</p> <p>FINISH :</p> <p>SCALE :</p>	<p>TITLE (W/O PANEL STOP)</p> <p>TOP ENTRY PCB JACK 4P</p>	<p>DRAWING NO. GE523107-LA</p> <p>/PART NO. SEE NOTE</p>
<p>DO NOT SCALE DRAWING</p>			<p>SIZE A3</p>	<p>REV 0</p>